

Cat Condo Plans

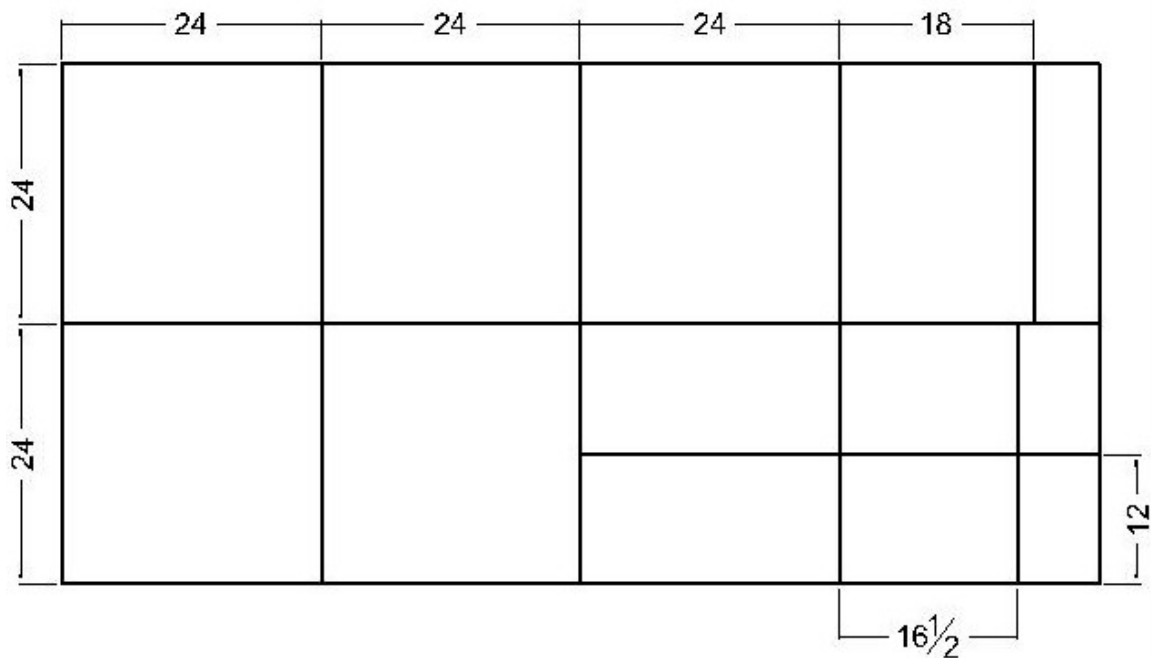
by Bertus Greeff

List of materials:

- 3 lengths of 3.5x3.5". 5' each
- 48x96" 3/4" chipboard
- 5' of 2.5x1.5"
- box of 20d 4" nails
- box of 6d 2" nails
- Wood glue
- 6x20' of carpet (I can't recall exactly how much I used but a quick estimate show you'll need at least this much.)
- 100' 3/8" Sisal rope.

Construction Notes:

Start by ripping the board as shown:

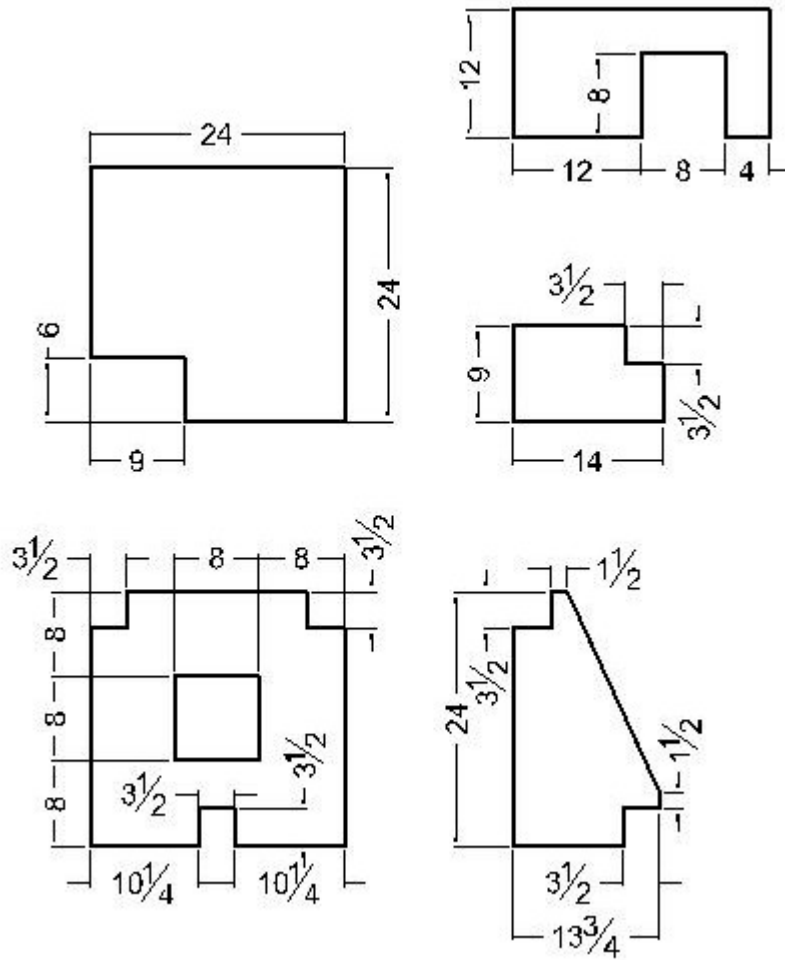


I got the guys at Home Depot to do most of it for me. If you don't have access to a table saw it's your best option even if they grumble a bit. Ripping board straight and square with a hand saw can be tricky.

Cut the 2.5x1.5 into lengths:

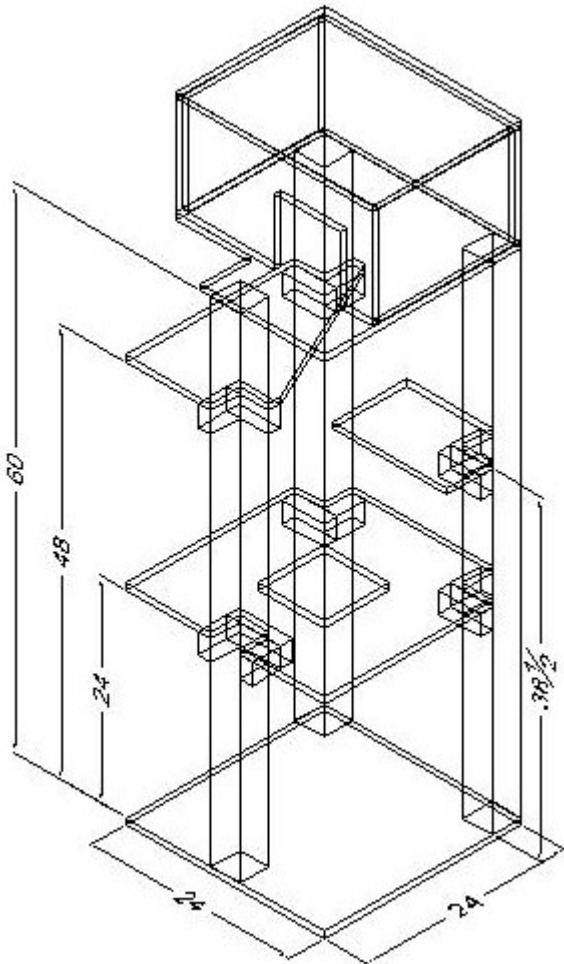
- 7 3.5" pieces.
- 5 5" pieces.
- 1 6.5" piece.

Here are the plans for the board:



In addition to the pieces shown you need one 24x24", one 24x12", two 12x16.5" and one 24x18" piece. You'll get all of this out of the board and still have a 24x24" left over as a off cut.

Ok, now you have everything you need. Just stick it together:



I used glue and nails to hold the whole thing together. Start by nailing the box that form the top of the structure. DON'T nail it to the floor of the box though! You need to carpet it inside first so it has to wait till the end before it's attached to the floor. Use two 20d nails at each end of the 3.5x3.5 to secure them to the base and floor of the box to form the 3 pillars. Next glue and nail the 2.5x1.5 pieces to the pillars using the 20d nails as shown on the diagram. TIP: Use only one nail for each piece, then place the "shelves" into position to level the 2.5x1.5 and then drive a second nail into each to secure them. When you install the "shelves" you may need to enlarge the 3.5x3.5 cutouts because chances are that the pillars are not going to be exactly straight. Once they fit, glue and nail them in place with the 6d nails.

I used 10mm staples to attach the carpet but in retrospect tacks may have worked better. Use a carpenter's pencil to mark the backside of the carpet and use a carpet knife to cut it. Make sure you take your measurements from a straight edge of the carpet. Start by

upholstering the inside of the box and once it is done nail the box to the rest of the structure and continue covering it. Just keep going, this is the most work!

To attach the rope I simply stapled one end to the pillar and started winding it.



Hope you have as much fun building your cats a condo as I had.

Bertus.